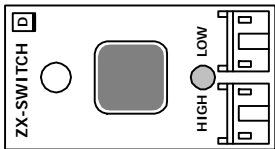


POP-168
AVR ATmega168
Matchbox

Rev.B 20080226



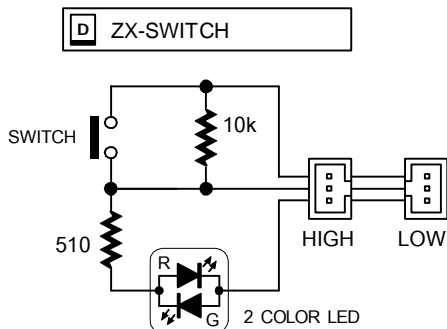
Active LOW logic output (Green light) *

Active HIGH logic output (Red light) *

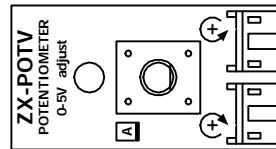
ZX-SWITCH [Digital Input]

Switch with on board LED display

- Connect HIGH for Active HIGH logic output, Red light when pressed
 - Connect LOW for Active LOW logic output, Green light when pressed
- LED light off when no action



* Do not use both channel on the same times.



Voltage output increasing on counterclockwise *

Voltage output increasing on clockwise *

ZX-POTV , ZX-POTH [Analog Input]

0-5V.DC Voltage divider using Variable Resistor (Potentiometer)



* Do not use both channel on the same times.

POP-Interface Board Schematic

